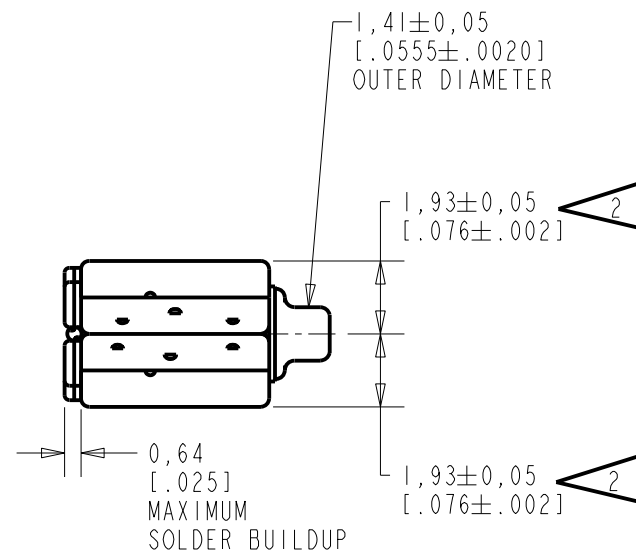
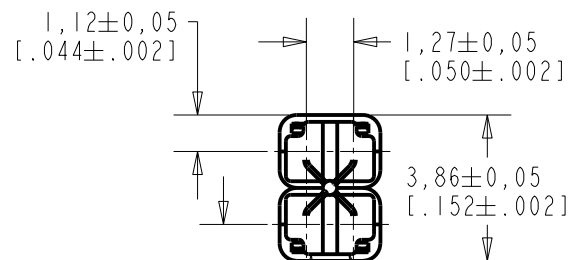
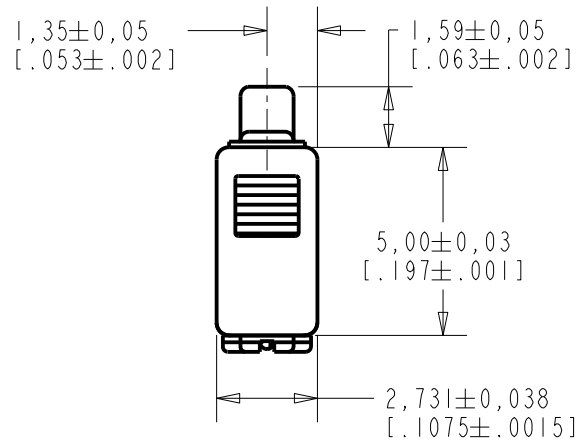


**SWFK-32255-000**  
SHT 1.1

NOTES:

- 1 A POSITIVE GOING VOLTAGE AT TERMINAL 2, RELATIVE TO TERMINAL 1, CAUSES A DECREASE IN PRESSURE AT THE SOUND OUTLET.
- 2 LOCATED FROM TWO SURFACES FOR CUSTOMER CONVENIENCE. ONLY APPLICABLE FROM ONE SURFACE, NOT TO BE USED TOGETHER.



SCALE 2:1  
NOMINAL WEIGHT 0.19 GRAMS  
DIMENSIONS IN MILLIMETERS [INCHES]

**KNOWLES ELECTRONICS**  
ITASCA, ILLINOIS U.S.A.

Revision	C.O. #	Implementation Date	RELEASE LEVEL	REVISION
A	CI0115507	1-26-14	Active	A

SCALE: 5:1	DR. BY: LW	DATE: 1-26-14
DO NOT SCALE DRAWING	CK. BY: GJP	DATE: 1-28-14
TITLE: RECEIVER	APP. BY: GJP	DATE: 1-28-14
OUTLINE DRAWING	SWFK-32255-000 SHT 1.1	

A PAIR OF MAGNETIC BALANCED ARMATURE RECEIVERS WITH TAPERED REED INTENDED FOR USE AS THE HIGH FREQUENCY DRIVER IN A HI-FI SYSTEM.

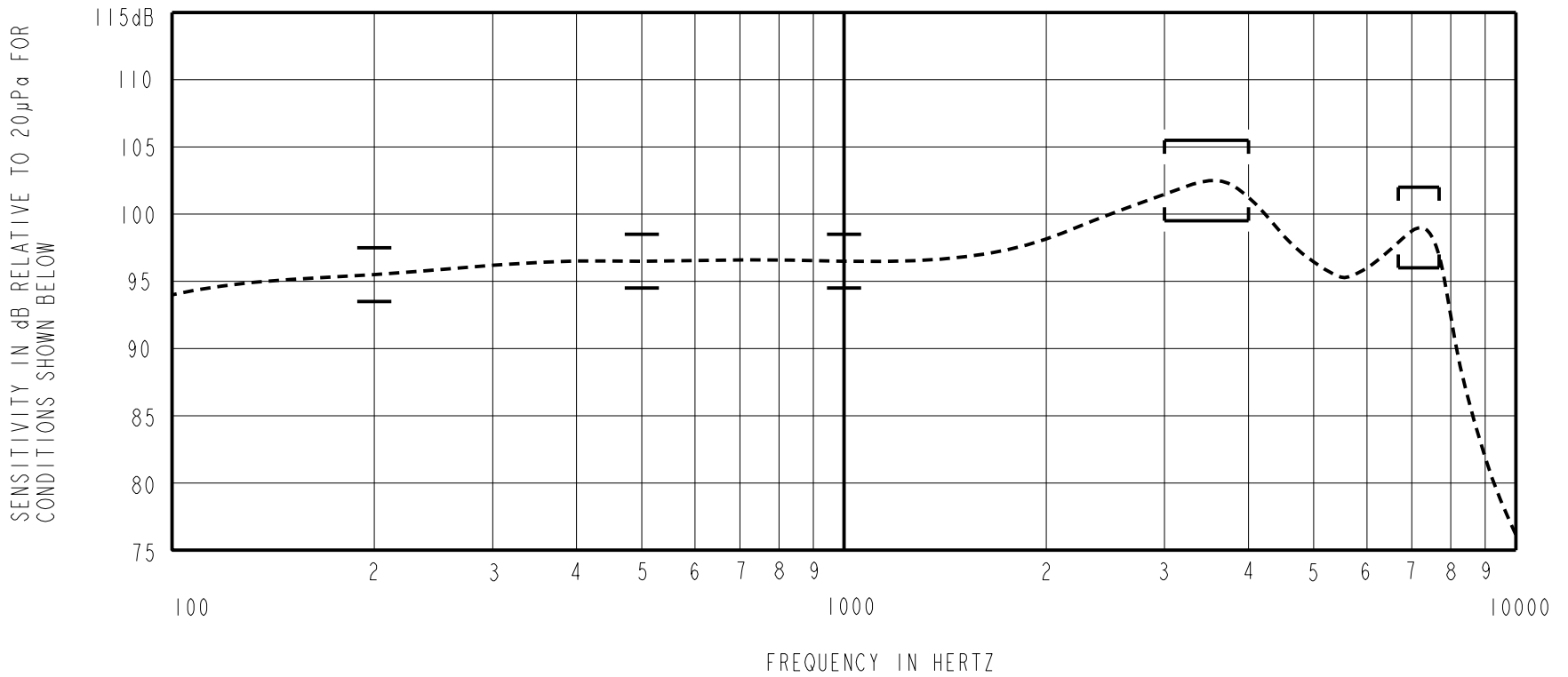
HEAVY TYPE 1

SWFK-32255-000

SHEET 2.1

NOTE: SPECIFICATIONS FOLLOWED BY AN ASTERISK (\*) ARE 100% TESTED.

CONSTANT VOLTAGE CONDITIONS



ACOUSTICAL

SENSITIVITY\*  
 DEVICE WILL PRODUCE THE SPL LISTED BELOW UNDER TEST CONDITION IN TABLE 3.  
 NOMINAL SENSITIVITY AT 1kHz IS dB RELATIVE TO 20 μPa. ALL OTHER VALUES IN dB RELATIVE TO THE SENSITIVITY AT 1kHz.

FREQUENCY (Hz)	MINIMUM	NOMINAL	MAXIMUM
200	-3.0	-1.0	+1.0
500	-2.0	0.0	+2.0
1000	-2.0	96.5	+2.0
3000-4000 PEAK	+3.0	+6.0	+9.0
6700-7700 PEAK	-0.5	+2.5	+5.5

TABLE 1

TOTAL HARMONIC DISTORTION\*  
 DEVICE WILL NOT EXCEED TOTAL HARMONIC DISTORTION LEVELS LISTED BELOW.

FREQUENCY (Hz)	AC DRIVE (V rms)	DC BIAS (V)	LIMIT (%)
1166	.094	0	5
1750	.094	0	5
1750	.265	0	10

TABLE 2

TEST CONDITIONS

NOMINAL SOURCE VOLTAGE	.094 V rms, 0 mA DC BIAS
SOURCE IMPEDANCE	<0.2 Ohm
TUBING	10mm [.394"] LONG, 1mm [.039"] I.D.
COUPLER CAVITY	2 CM <sup>3</sup> , SIMULATED ANSI S3.7 TYPE HA-3 (IEC 60318-5)

TABLE 3

ELECTRICAL

DC RESISTANCE	6.3 Ohms ± 10%*
IMPEDANCE @ 500 Hz	6.6 Ohms ± 20%
IMPEDANCE @ 1kHz	7.0 Ohms ± 20%

TABLE 4

ISOLATION: CASE WILL BE ELECTRICALLY ISOLATED FROM THE COIL CIRCUIT.

MECHANICAL

PORT LOCATION: 12S  
 SOLDER TYPE: SAC305  
 TEMPERATURE  
 OPERATING: SENSITIVITY WILL NOT VARY MORE THAN +1 / -3 dB FROM -17°C TO 63°C.  
 STORAGE: -40°C TO 63°C.

Revision	C.O. #	Implementation Date	RELEASE LEVEL	REVISION
			Active	A
A	C10115507	1-26-14		
WHEN TEST LIMITS ARE USED TO ESTABLISH INCOMING INSPECTION ACCEPTANCE/REJECTION CRITERIA, CORRELATION OF TEST EQUIPMENT WITH KNOWLES IS ALSO REQUIRED FOR ELIMINATION OF EQUIPMENT AND TEST METHOD VARIATION				
TITLE: RECEIVER			SWFK-32255-000	DR. BY DATE
PERFORMANCE SPECIFICATION			SHT 2.1	LW 1-26-14
				CK. BY DATE
				GJP 1-28-14
				APP. BY DATE
				GJP 1-28-14

**KNOWLES ELECTRONICS**  
 ITASCA, ILLINOIS U.S.A.